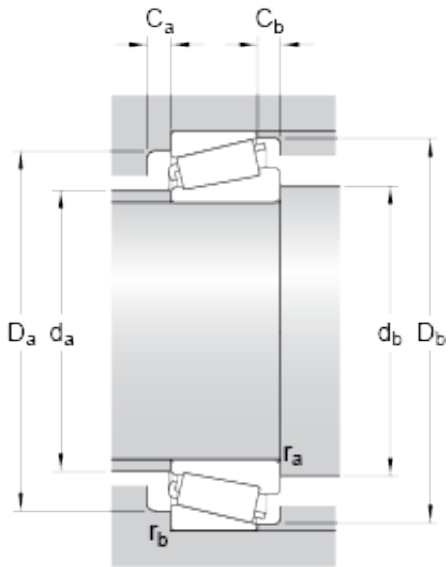




NTN BEARING USA CORP.



32211 Bearing 2D drawings and 3D CAD models

Manufactures and Markets NSK/Timken/SKF
 High Quality Tapered Roller Bearings 32211
 55*100*25 for General Purpose Machinery

Bearing No. 32211

Dimension series	3DC
d	55 mm
D	100 mm
T	26.75 mm
d ₁	75.33 mm
B	25 mm
C	21 mm
r _{1,2} min.	2 mm
r _{3,4} min.	1.5 mm
a	22.253 mm
d _a max.	64 mm
d _b min.	65 mm
D _a min.	87 mm
D _a max.	92 mm
D _b min.	95 mm
C _a min.	4 mm
C _b min.	5.5 mm
r _a max.	2 mm
r _b max.	1.5 mm
Basic dynamic load rating C	130 kN
Basic static load rating C ₀	129 kN
Fatigue load limit P _u	15 kN
Reference speed	5300 r/min
Limiting speed	6700 r/min
Calculation factor e	0.4



NTN BEARING USA CORP.

Calculation factor Y	1.5
Calculation factor Y_0	0.8
Mass bearing	0.84 kg